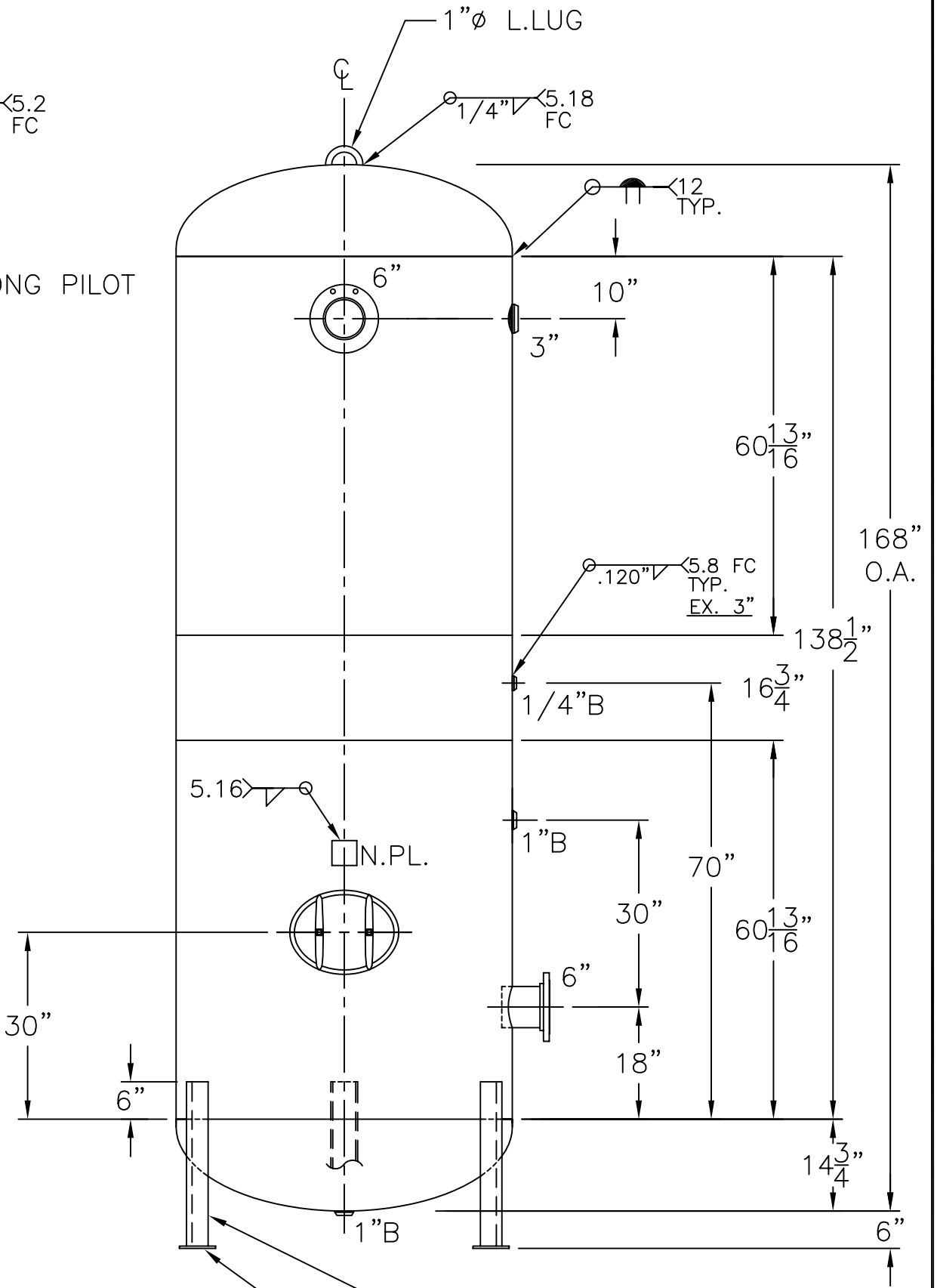
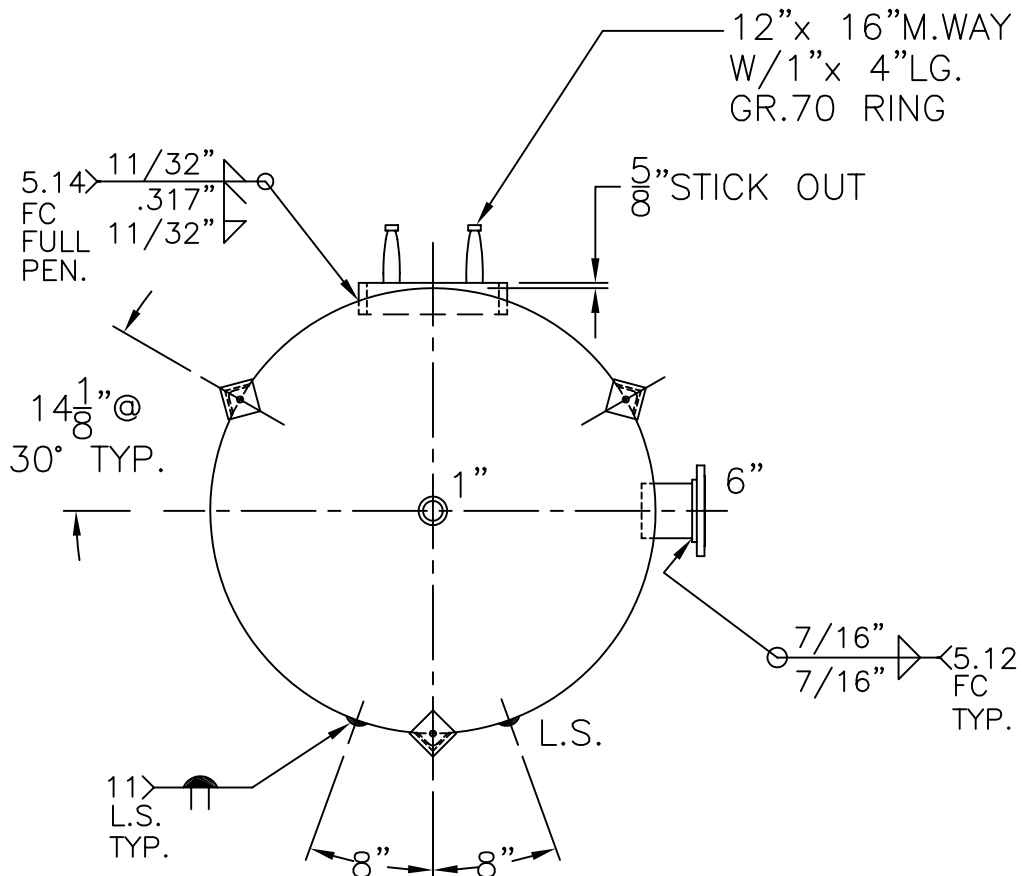


6"-150# R.F.S.O.
 FLG. W/SCH 80
 SA-106-B
 PIPE x 7 5/8"LG.
 (2) PLC'S



(3) 3" x 3" x 3/8"THK.
 x 26 1/4"LG. ANGLE LEGS

(3) 4" x 4" x 1/2"THK.
 PAD W/ 7/8"Ø HOLE
 FOR 5/8"Ø x 8"LG. BOLTS
 GRADE 5 OR BETTER
 6" EMBEDMENT



NOTE: 1) HYDRO @ 260 PSIG. MIN.

SHELL / HEADS		.3125" SA-455 2:1 S.E. (.253" MIN.)	
M.A.W.P.	200 PSIG. @ 400 °F	54-VA-1550-L	
M.D.M.T.	-20 °F @ 200 PSIG.	FOR: HANSON STANDARD	REV. 9-10-10
ASME. SECTION VIII	DIV. 1, 2007 ADD 2009	VERT. AIR TANK	DATE: 12-8-79
X-RAY: RT-4 SPOT L.S. & HDS. G.S.		SURFACE AREA = 210.0 SQ. FT.	
GALLONS: 1550	WT. 3200 LBS.	INSIDE: UNPAINTED	
SERIAL NO.		OUTSIDE: PRIME	
N.B.		CAD "B" SIZE UNDER "STD"-SERIES	
		BY: J.G.	
		SCALE: 1/2" = 12"	
		ROY E. HANSON JR. MFG.	
		1600 E. WASHINGTON BLVD.	
		LOS ANGELES, CA 90021	